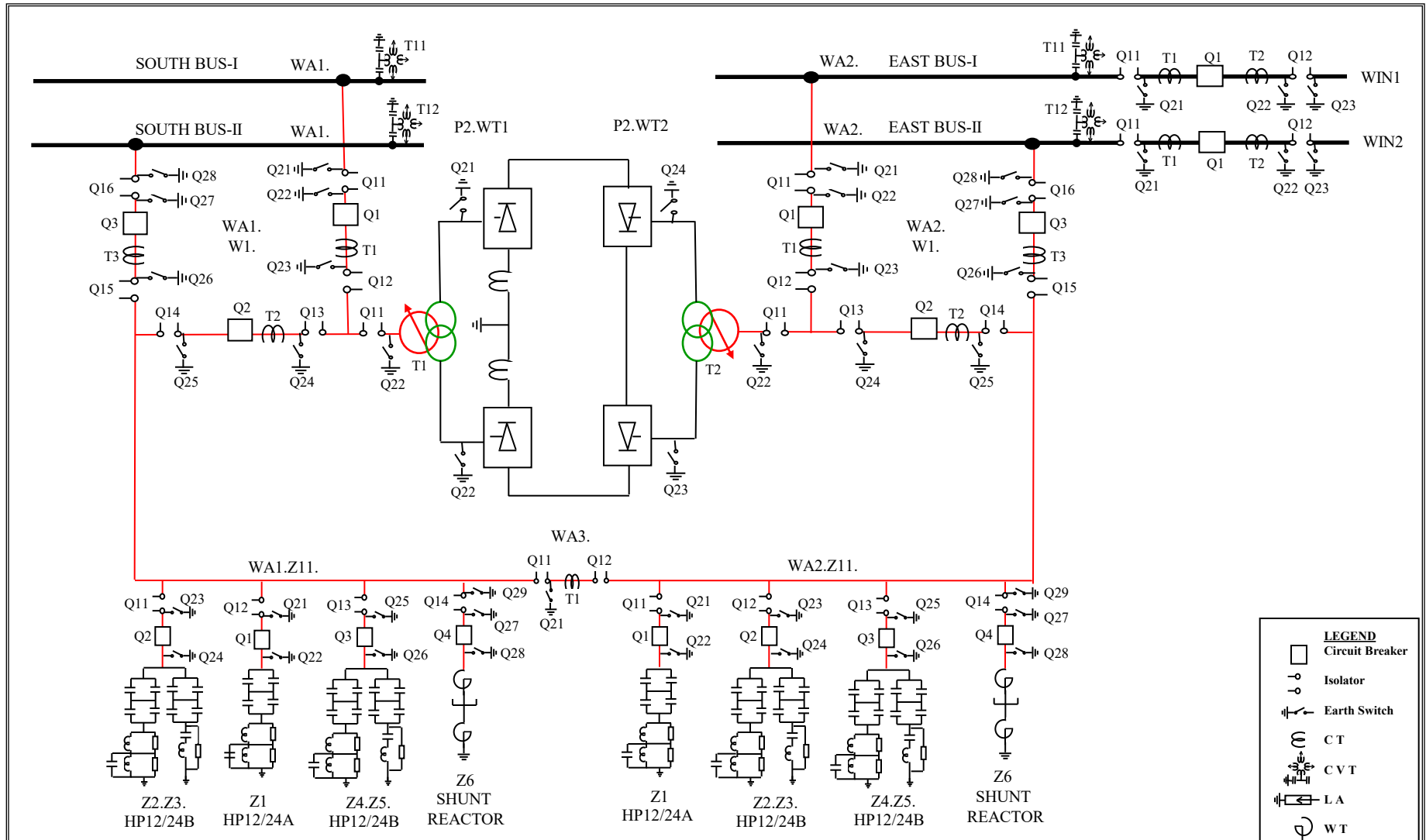


# POWER GRID CORPORATION OF INDIA LIMITED

## VISAKHAPATNAM STATION ( POLE-II )

### SINGLE LINE DIAGRAM



LEGEND	
	Circuit Breaker
	Isolator
	Earth Switch
	CT
	CVT
	LA
	WT